

mafell
creating excellence



Hand Router
LO 55

Hand router LO 55: Versatile, precise, intuitively simple.

TOOL-LESS BIT CHANGES



Completely new and exclusive to MAFELL: the innovative bit change routine gets you ready to work in a matter of seconds. Release the locking lever, change the bit, park the lever – job done. Without any tools!

PERMAFIX



The cutting depth is permanently fixed. Pressing the Permafix button releases the lock for easy adjustment.

The inimitable new LO 55 puts you in complete control. Thanks to tool-less chucking, innovative cutting depth adjustment with permanent height fixing and many more features, you can focus entirely on the task in hand. Working with ease, efficiency, precision and the benefit of quick set-up makes every routing job a cinch.

DEBOOST FUNCTION



Simply pressing the Deboost button reduces the speed by 30%. This avoids burn marks – which typically occur when transitioning from long to end grain.

ELECTRONIC: MAFELL INTELLIGENT POWER CONTROL (IPC)



MAFELL IPC is the name of the new digital electronic system. It supports restart and overload protection, as well as constant speed under load. Color LEDs provide information about the functions and operating states.



Hand router LO 55: For machining faces and edges.

This way to the tutorials:



LO55.mafell.de/en/



ROUTING GROOVES USING THE PARALLEL FENCE



Fast and precise progress facilitated by tool-less bit changes and fine adjustments done on the parallel fence.



RECESSES



With the aid of the router adapter LO-FA, it's easy to cut out accurate recesses, e.g. for hand/finger grips.

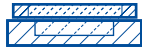


CHAMFERING

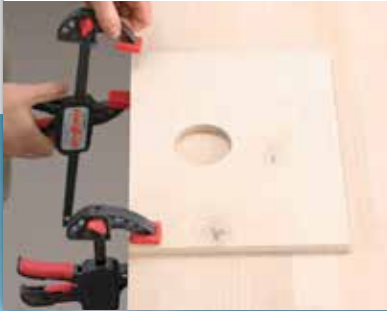


The Deboost function for reducing the speed ensures rapid and neat progress when machining end grain.

Want to know what a whole new world of versatility looks like? Then cast a glance at the LO 55. In view of its exemplary operation, it's the ideal partner for every task both in the workshop and on site. Discover the broad application scope for yourself and unleash your creativity.



TEMPLATE GUIDE



When installing, the template guide is automatically centered by the works-calibrated seat, so that there's no longer any need for slow and laborious alignment by hand.



ROUTING REBATES

Fine settings for the parallel fence and end-to-end extraction enable you to cut cleanly while making rapid progress.



ROWS OF HOLES



Use of the router adapter LO-FA and guide rail F-LR allows you to drill rows of holes with reliability and precision. For rapid progress, simply deactivate the Permafix lock.

Hand router LO 55: Perfection in every detail.

TOOL-LESS BIT CHANGES

It could hardly be easier or quicker: to insert a different router bit, simply release the locking lever, exchange the bit and park the lever.



LED LIGHTING

No matter what the light conditions, the wide array of LEDs illuminates the working area perfectly.

DUST REMOVAL CONCEPT

The hose connector is integrated in the baseplate. This arrangement reliably captures chips as they are produced.

GRADUATED TURRETS WITH HEIGHT FIXING

For recurring machining depths. For dovetail joints, the cutting depth can be additionally fixed.

ERGO-BALANCE PRINCIPLE

Our Ergo-Balance principle focuses on you, the user. As a machine, the LO 55 is perfectly balanced; vibrations and their transmission are simply avoided.

BETTER BALANCE

The position of the LO 55 handle complies fully with ergonomic design principles and gives the operator a secure hold. In addition, thanks to the many leveling options, the router always remains stable.

ENHANCED SAFETY

Protrusions or projecting edges? Not with the LO 55. When setting up the machine, you can put it down or rest it on any surface without the risk of damage to either the workpiece or the router.

MORE CONTROL

All operating elements of the LO 55 are either red or marked in red and therefore catch the eye immediately. The digital electronic circuitry includes LED telltales for warning purposes, and the copying rings are centered automatically.



We have incorporated a wealth of clever details in the new LO 55. In combination, they have given rise to an unrivaled power tool. All of the router's features are perfectly aligned with your needs. By way of solutions that are at once simple and well-conceived, the LO 55 sets new standards.



MAFELL INTELLIGENT POWER CONTROL (IPC)

MAFELL's new digital electronic control system governs restart and overload protection, as well as the constant speed under load. Blue LEDs flash when the Deboost function is operating, and red ones flash during the cooling cycle.

CENTRAL LOCKING

The parallel fence and inserts are locked with the two wing screws in the baseplate.



HEIGHT ADJUSTMENT

The height adjuster in the baseplate sits flush with its surface. It ensures stability and, e.g. when a copying ring is being used, compensates for the thickness of the template.



CUTTING DEPTH SETTING

Thanks to a user-friendly locking lever, you can reliably secure the cutting depth without exerting any force.

DEBOOST FUNCTION

Simply pressing the Deboost button reduces speed by 30%. This avoids burn marks – which typically occur when transitioning from long to end grain.

Accessories.

Parallel fence

The parallel fence is included in the delivery scope of the LO 55.

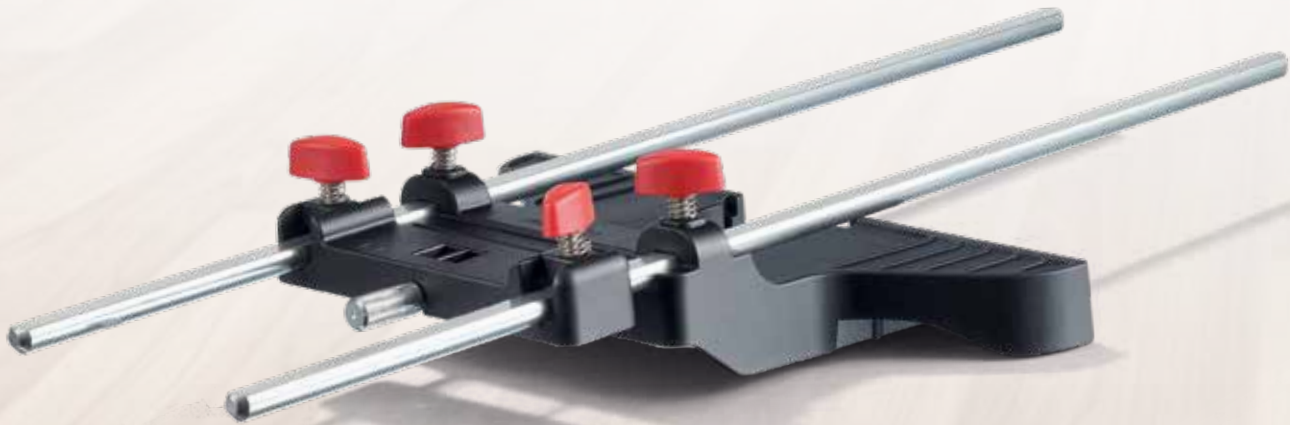
FINE SETTING

The generous scale allows settings with a resolution of $\frac{1}{10}$ mm.



FENCE CLOSURE

The closure is a simple device for blocking off the opening in the fence. It prevents tipping over when the end of the workpiece is reached. When you're not using the closure, it can be stowed in the parallel fence.



Guide rail F-LR

Available as an optional accessory for the LO 55 and LO-FA.

Order No. 207600 | F80-LR
207601 | F160-LR

ROWS OF HOLES

Guide rail F-LR in conjunction with router adapter LO-FA allows rows of holes to be routed with a spacing of 32 mm. The supplied stop ensures that the distance to the edge of the workpiece remains consistent.



You want to make a good thing even better - to have everything to hand for doing the best possible job? You can extend and refine your options with our well-conceived range of accessories. From a router adapter to an angle fence, every need is catered for. Explore the many choices.

Router adapter LO-FA

Available as an optional accessory for the hand router LO 55.

POCKET ADAPTER

The pocket adapter delivers outstanding results when cutting pockets to serve as hand/finger grips or to accept the treads of steps, up to a width of 255 mm and with any length.



COMPASS

Compass functionality allows you to rout circles with a radius of up to 380 mm.



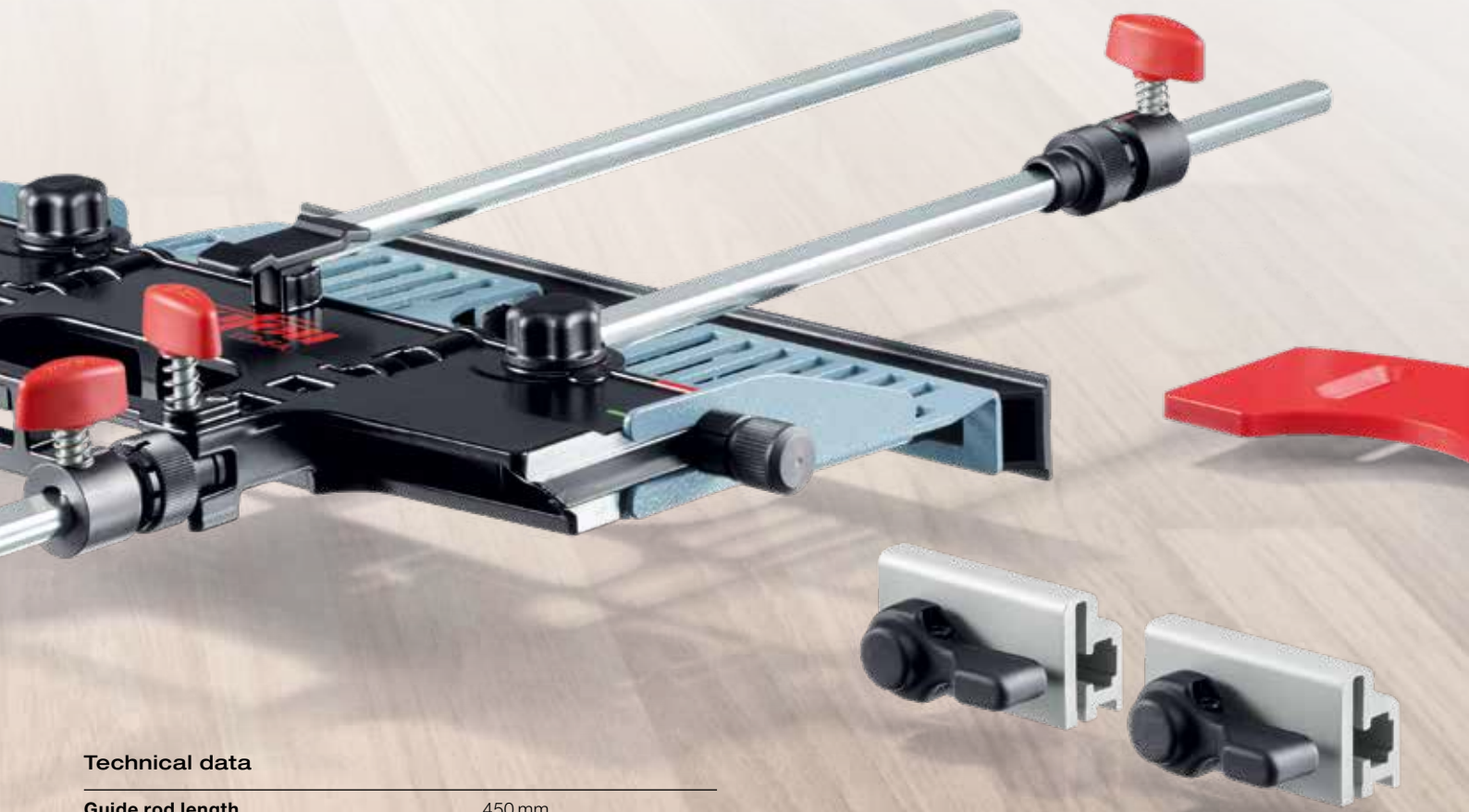
GUIDE RAIL ADAPTER

The guide rail adapter fits MAFELL guide rail F and other makes.



PARALLEL FENCE

You can also use the router adapter LO-FA as a parallel fence. It allows you to bridge large distances of up to 260 mm from the edge to the bit.



Technical data

Guide rod length	450 mm
Cutting radius	97–380 mm
Height adjustment	6 mm
Hole diameter for trammel point	4.5 mm
Weight	1.2 kg
Cheek adjustment range	0–54 mm

Delivery specification:

- 2 guide rods
- 1 height adjuster incl. two locking screws
- 1 parallel fence with two cheeks
- 2 recoil stops
- 1 cover for guide rail groove

Optional accessories.



Adapter sleeve

Ø 8 mm / Ø 6 mm

Order No. **207946**



Adapter sleeve

Ø 8 mm / Ø 1/4"

Order No. **207947**



Template guide Ø 17 mm

Order No. **209851**



Template guide Ø 24 mm

Order No. **209850**



Adapter for hand router LO-FA

Order No. **207200**



Guide rail F

Designation	Length	Order No.
F 80	0.80 m	204380
F 110	1.10 m	204381
F 160	1.60 m	204365
F 210	2.10 m	204382
F 310	3.10 m	204383



Guide rail LR

Designation	Length	Order No.
F 80-LR	0.80 m	207600
F 160-LR	1.60 m	207601



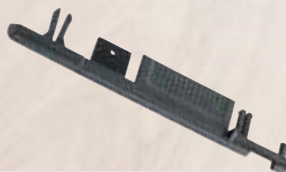
Connecting piece F-VS

for joining two guide rails
Order No. **204363**



Guide rail bags

Guide Bag F 160
for guide rails up to 1.6 m l
Order No. **204626**



End caps F-EK

2 caps
Order No. **205400**



Angle fence F-WA

Order No. **205357**



Lever clamp F-SZC 180

2 pieces, for fixing guide rail to
workpiece
Order No. **093868**

Guide rail set with bag:
2 x F 160 + F-VS + 2 x F-SZ 100MM
+ guide pocket
Order No. **204805**

Guide rail set with bag:
F 80 + F 160 + F-WA + F-VS
+ 2 x F-SZ 100MM
+ guide pocket
Order No. **204749**



Non-slip profile F-HP 6,8M

6.8 m long

Order No. **204376**



Splinter guard F-SS 3,4M

3.4 m long

Order No. **204375**

Technical data.



Hand router LO 55

Technical data	Operating voltage	230 V
	Supply frequency	50 Hz
	Power input (continuous duty)	1100 W
	No-load speed (normal duty)	10000–24000 min ⁻¹
	Cutting depth setting with fine adjustment	0–55 mm
	Tool holder – collet	Ø 8 mm
	Hose connector diameter	29 mm
	Weight	3.1 kg

Order No. 91A901 | **Hand router LO 55 in MAX 3 case**

Delivery scope	1 parallel fence with fine adjustment	1 template guide adapter
	1 chip deflector	1 extraction hose adapter
	1 template guide 20 mm	1 extraction hose adapter for rail F
	1 template guide 30 mm	1 mains cable 4 m
	1 template guide 40 mm	



MAFELL MAX 3

In order to develop a better tool for carpenters, we at MAFELL often take a special approach: We change our point of view and completely reconceive the tool in essential parts. At the same time, we always keep in mind the future requirements of the woodworking trade.

From this way of thinking, paired with an outstanding material and processing quality, amazing solutions emerge again and again. For example, in terms of functionality and ease of use. It is our claim that you no longer have to think about your tools when doing your work. Simply because we at MAFELL have already done so extensively. After all, we have a common goal: the perfect job. Or in brief:

creating excellence

Your MAFELL authorized dealer:



MAFELL AG · Beffendorfer Straße 4 · 78727 Oberndorf · Germany
Telefon +49 7423 812-114 · E-Mail export@mafell.de · www.mafell.com